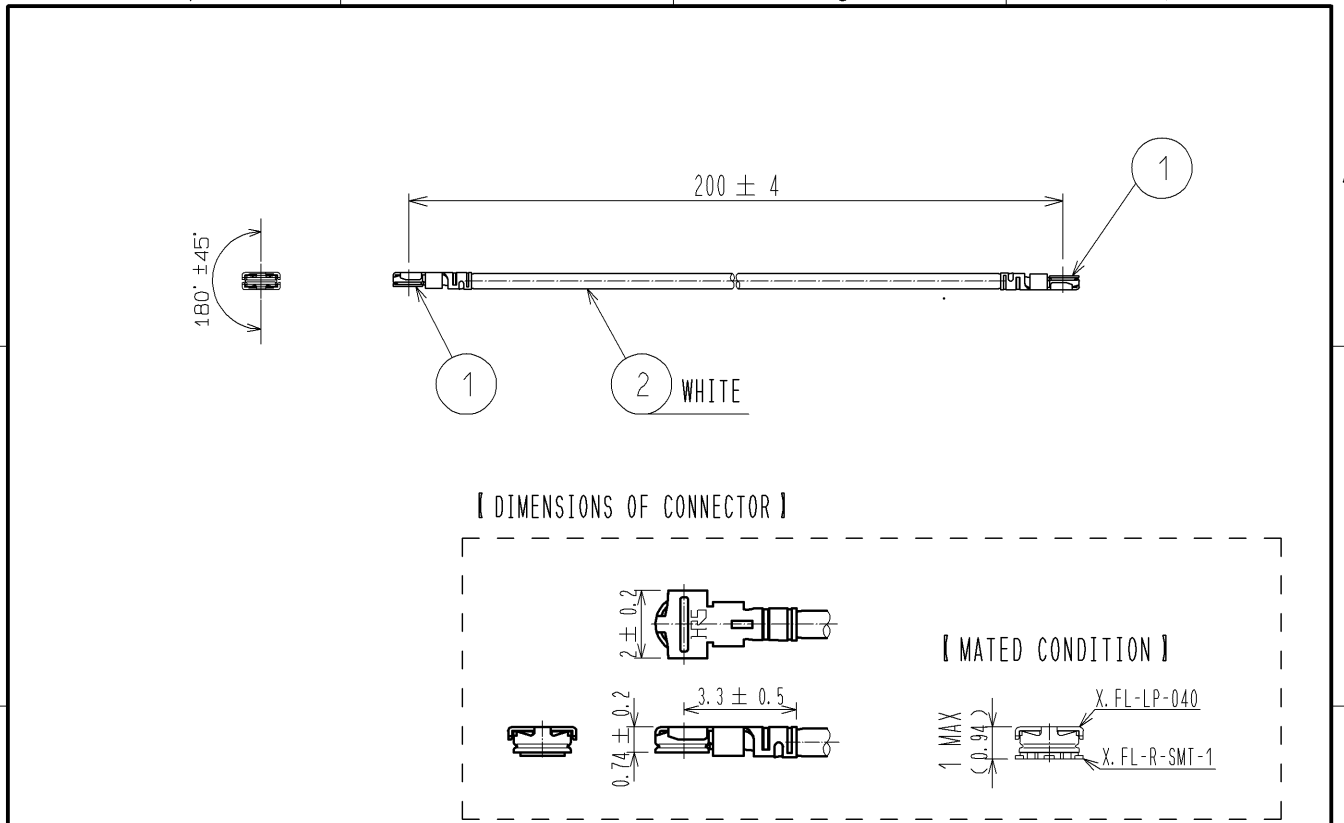


APPLICABLE STANDARD						
RATING	OPERATING TEMPERATURE RANGE	-40°C TO 90°C(90%RH MAX)	STORAGE TEMPERATURE RANGE	-40°C TO 90°C(90%RH MAX)		
	POWER	—————W	CHARACTERISTIC IMPEDANCE	50Ω ( 0 TO 6GHz)		
	PECULIARITY	—————	APPLICABLE CABLE	FWS5033(WHITE) :KURABE INDUSTRIAL CO.,LTD.		
<b>SPECIFICATIONS</b>						
ITEM	TEST METHOD		REQUIREMENTS	QT	AT	
<b>CONSTRUCTION</b>						
GENERAL EXAMINATION	VISUALLY AND BY MEASURING INSTRUMENT.		ACCORDING TO DRAWING.	X	X	
MARKING	CONFIRMED VISUALLY.			X	X	
<b>ELECTRIC CHARACTERISTICS</b>						
CONTACT RESISTANCE	10 mA MAX (DC OR 1000 Hz).		CENTER CONTACT	323 mΩ MAX.	X	X
			OUTER CONTACT	81 mΩ MAX.	X	X
INSULATION RESISTANCE	100 V DC.			500 MΩ MIN.	X	X
VOLTAGE PROOF	200 V AC FOR 1 min.CURRENT LEAKAGE 2mA MAX.		NO FLASHOVER OR BREAKDOWN.		X	X
VOLTAGE STANDING WAVE RATIO	FREQUENCY 0.045 TO 3 GHz.		VSWR	1.3 MAX.	X	—
	FREQUENCY 3 TO 6 GHz.		VSWR	1.4 MAX.		
INSERTION LOSS	FREQUENCY ----- TO ---- GHz		————— dB MAX.		—	—
<b>MECHANICAL CHARACTERISTICS</b>						
CABLE CLAMP ROBUSTNESS (AGAINST CABLE PULL)	APPLYING A PULL FORCE THE CABLE AXIALLY AT 7 N MAX.		① NO WITHDRAWAL AND BREAKAGE OF CABLE. ② NO BREAKAGE OF CLAMP.		X	—
COUNT	DESCRIPTION OF REVISIONS		DESIGNED	CHECKED	DATE	
①						
REMARK			APPROVED	NK. NINOMIYA	14.04.25	
ROHS COMPLIANT. HALOGEN FREE.			CHECKED	MT. KANEKO	14.04.24	
			DESIGNED	MS. MATSUMOTO	14.04.22	
			DRAWN	MS. MATSUMOTO	14.04.22	
			Unless otherwise specified, refer to JIS C 5402 / IEC-60512.			
Note QT:Qualification Test AT:Assurance Test X:Applicable Test			DRAWING NO.		ELC4-357739-18	
<b>HRS</b>	SPECIFICATION SHEET		PART NO.	X. FL-2LP-04K1T-AG- (200)		
	HIROSE ELECTRIC CO., LTD.		CODE NO.	CL321-6173-7-18	△	1/1



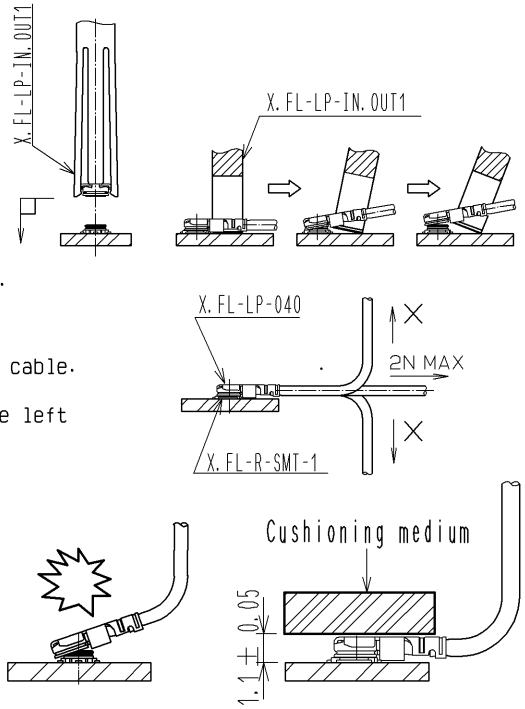
【 PRECAUTIONS FOR HANDLING 】

◆ Connector insertion and extraction  
 a. Insert the connector as perpendicularly to the mating surface as possible with aligning the mating axes of both connectors by specialised insertion JIG.  
 Part No. : X.FL-LP-IN.OUT1(CL331-0715-2)  
 Do not excessively slant the connectors when inserting.

b. Connector shall be extracted by specialised extraction JIG.  
 Part No. : X.FL-LP-IN.OUT1(CL331-0715-2)  
 Never hold the cable when extracting the cable because it damages the connector.

◆ Allowable loads on the cable after the connectors are mated.  
 The right figures show the maximum allowable loads on the cable.  
 Do not apply loads exceeding these values to the cable.  
 ◆ Please don't apply the power of the direction which lifts a cable.  
 There is a danger that the inserted-in plug will separate.  
 When you perform wiring which curves a cable as shown in the left figure ,please be careful.

◆ We recommend you to arrange a cushioning medium, as shown in a figure ,and to prevent a fitting blank.



RoHS COMPLIANT  
 HALOGEN FREE

1	X.FL-LP-040	CL331-0700-5	2	FWS5033(WHITE)	KURABE INDUSTRIAL CO.,LTD.		
NO.	PART NO.	CODE NO.	NO.	PART NO.	MANUFACTURER		
UNITS mm		SCALE FREE	COUNT 	DESCRIPTION OF REVISIONS	DESIGNED	CHECKED	DATE
<b>HRS</b> HIROSE ELECTRIC CO.,LTD.	APPROVED : NK. NINOMIYA	14. 04. 25	DRAWING NO. EDC4-357739-18				
	CHECKED : MT. KANEKO	14. 04. 24	PART NO. X.FL-2LP-04K1T-AC-(200)				
	DESIGNED : MS. MATSUMOTO	14. 04. 22	CODE NO. CL321-6173-7-18				
	DRAWN : MS. MATSUMOTO	14. 04. 22			1/1		